

Installation Instructions

Step 1

Ensure that the stud opening is square and level and measures:

Stud opening sizes for Herline /Liftoff Hinges

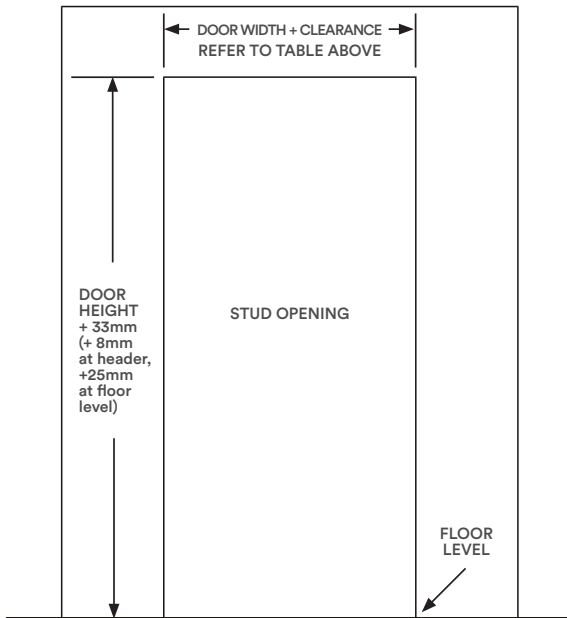
Width Single Door	Door Width +15mm Maximum
Width Double Door	Door Width +18mm Maximum
Height	Door Height +33mm (+8mm at header, +25mm at floor level)*

Stud opening sizes for RY-45 Concealed Hinges

Width Single Door	Door Width +40mm Maximum
Width Double Door	Door Width +63mm Maximum
Height	Door Height +33mm (+8mm at header, +25mm at floor level)*

*depending on floor clearance. Check with the Project Manager on site to confirm floor coverings.

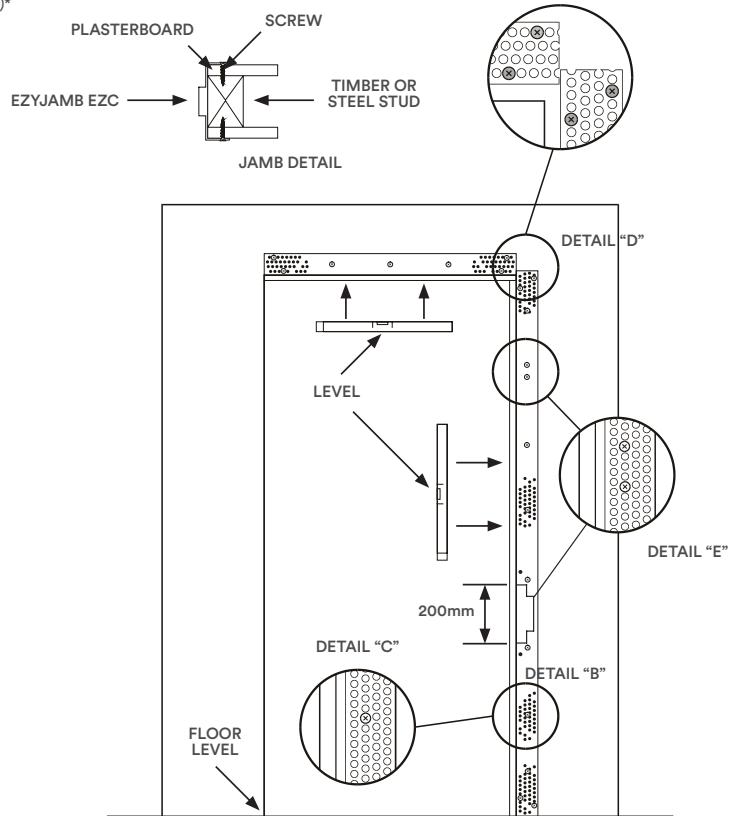
i It is strongly recommended that a timber stud or a 0.75 BMT metal stud is used on both sides of the opening.



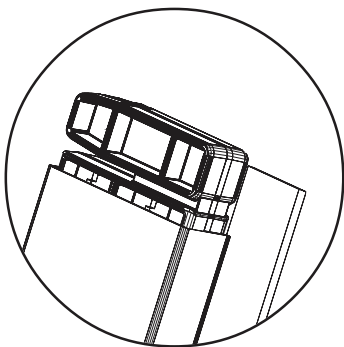
Step 2

Fasten hinge side first, making sure jamb is level and as tight against stud opening as possible. Then screw at 200mm centres up stile, screwing back through plasterboard into stud work See Detail 'B' and 'C'.

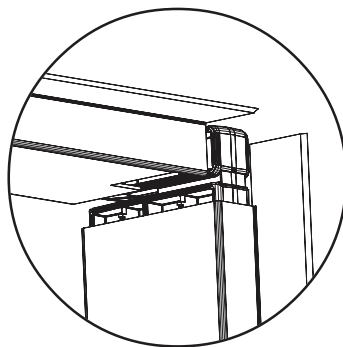
Double screw all ends as per Detail D. and beside hinge position - both above and below hinge as Detail E.



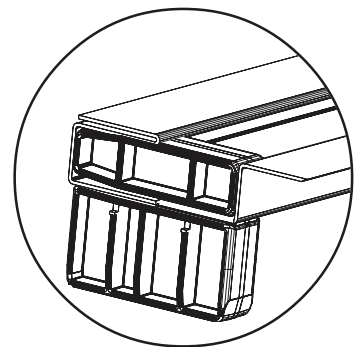
Step 2A | Head Installation



Head joiners as inserted in jamb.



Locate head into joiner and make flush with jamb so the head joiner is not seen.



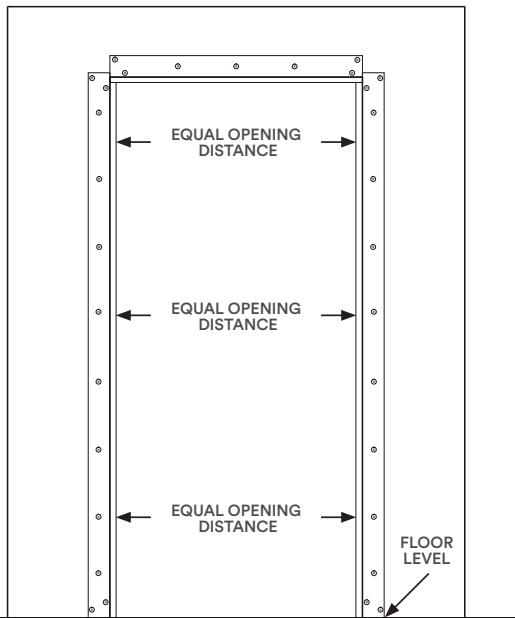
Remove the remaining head joiner out of the strike jamb into the end of the head (as shown) to receive the strike jamb.

Installation Instructions

Step 3

Fit the final vertical section (strike jamb) into the head section joining clip. Ensure that the spacing between the two vertical sections are spaced evenly at the required distance.

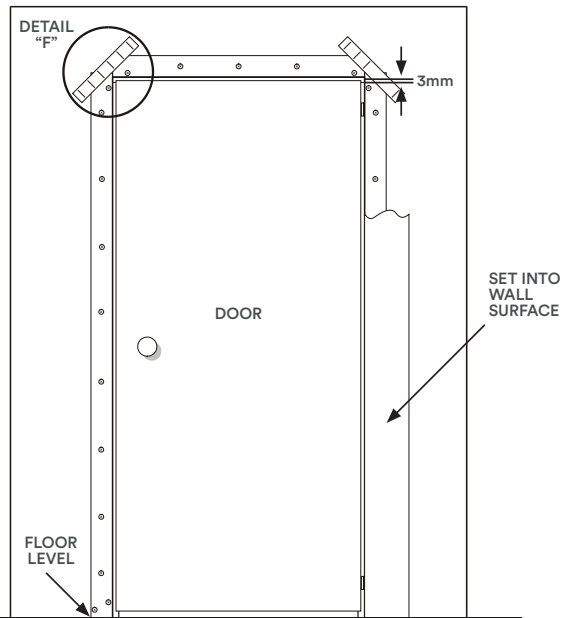
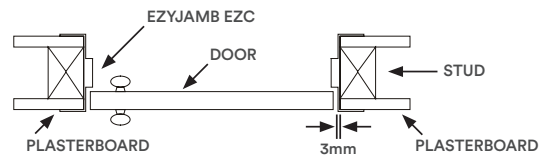
- ie: 820mm door, opening is 825mm
- 720mm door, opening is 725mm



Step 4

Ensure the perforated side strips sit flat against the plasterboard to enable the jamb sections to be easily set into the wall surface. **All the corners must be taped and plastered/jointed in as Detail F.** Finish the jamb with approved plaster/jointing compound.

Hang the door in position leaving about 3mm clearance from the top and the hinged side using the EzyJamb Standard or concealed Hinges. Surface mount the striker plate into position to align with the latch plate punching.



Completed Installation

The completed jamb is flush finished and can be painted in with the whole wall area to fully conceal any fixing, achieving simple clean lines around the door face.

For further information or assistance in installation of EzyJamb products, please visit:

www.ezconcept.com.au/installation

