

Nailing the Rafter Batten to the Hip/Valley Batten

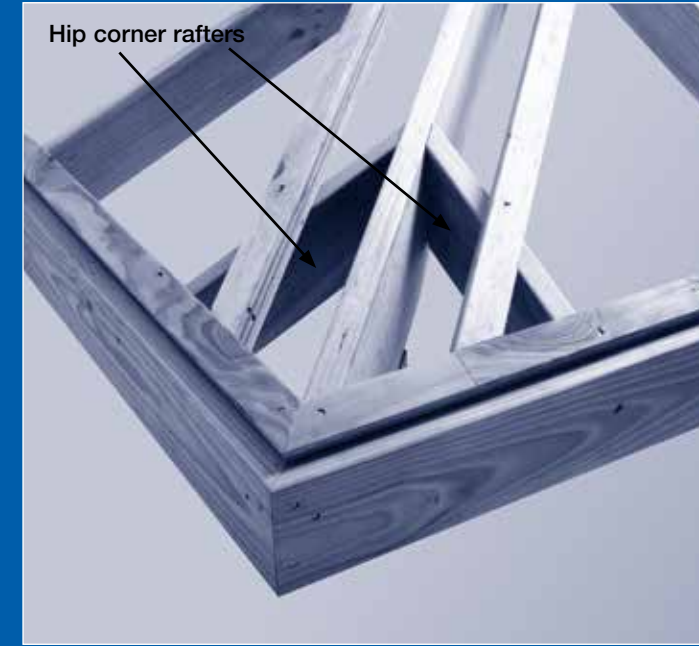
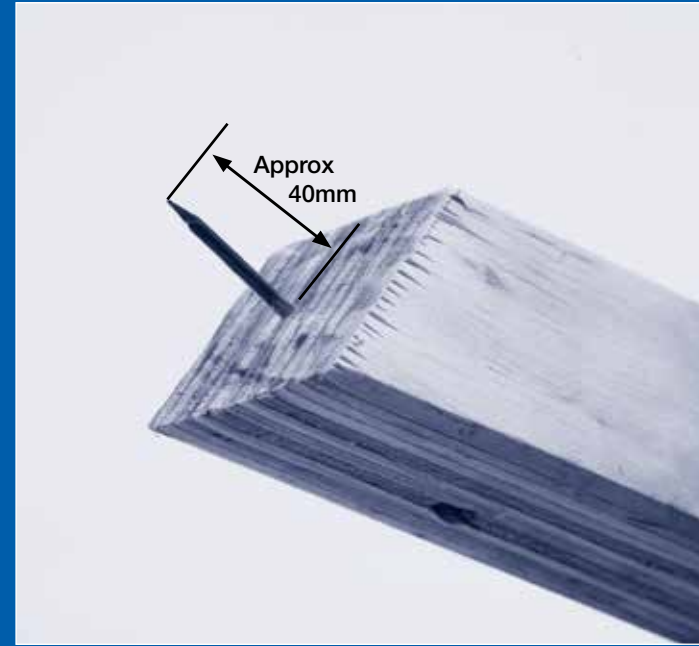
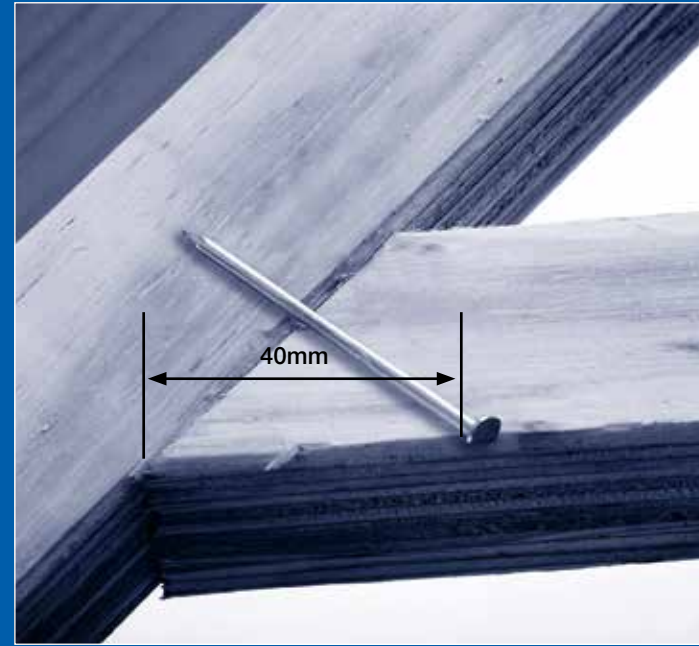
Positioning nails towards the tip of the Rafter Batten will increase the tendency to split.

- Fix Rafter Battens with 2 nails, 1 edge and 1 top.
- Align the edge and top nails as per the photograph below.

A standard 75mm nail will give approximately 40mm penetration into Hip/Valley Battens.

Hip Corner Rafters

- Installation of rafters at the hip bottom corner is sometimes overlooked.
- These short rafters provide an essential support for the battens and a stronger anchor point for the ridge-cap screws.



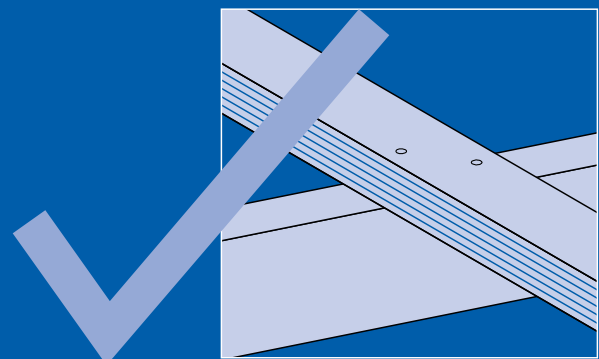
The e-batten Installation Guide

for carpenters and builders to correctly install Wesbeam e-batten in compliance with AS1684.



e-batten

The veneers that make up an e-batten are horizontal, so e-batten should be installed as a "flat" product.

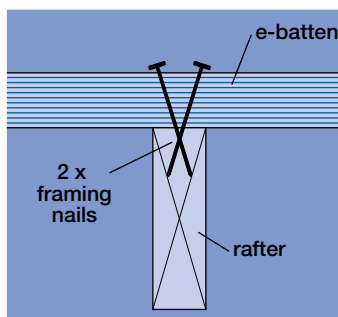
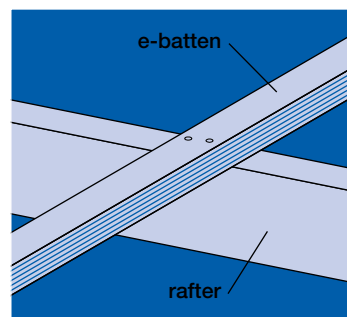


Nail fixing of e-batten to roof rafters can only occur in interior sheet roof areas in N1 and N2 Wind locations only.

For Wind locations other than N1 & N2 e-batten should be fixed to the roof rafters with Type 17 Bugle Batten roof screws

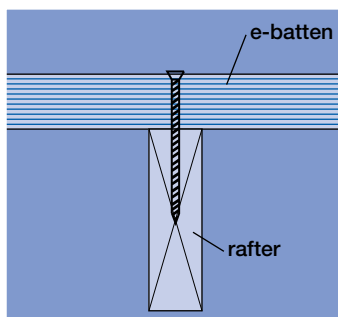
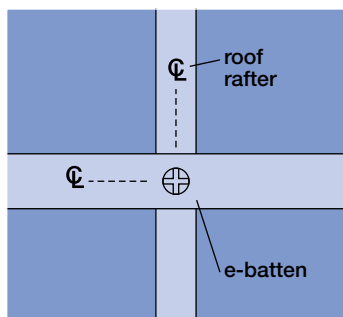
Using nails.

Nail fixing of e-batten to rafters can only be undertaken in the interior areas of a sheet roof. Nail fixing of e-batten to rafters is NOT permitted within 1.2m of Hips, Valleys, Ridges and Eaves edges. Nail fixings required for N1 & N2 Wind Locations only are 2/75mm x 3.75dia deformed shank nails. Position the nails along the rafter centreline. Skew drive the nails into the rafter.



Using screws.

When screw fixing e-battens to rafters use Type 17 screws. Position the screws at the intersection of the batten and rafter centrelines.



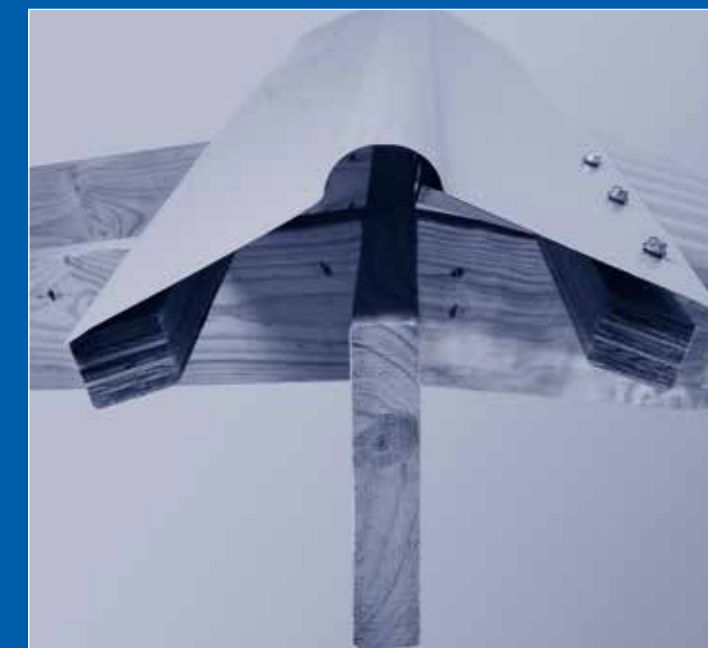
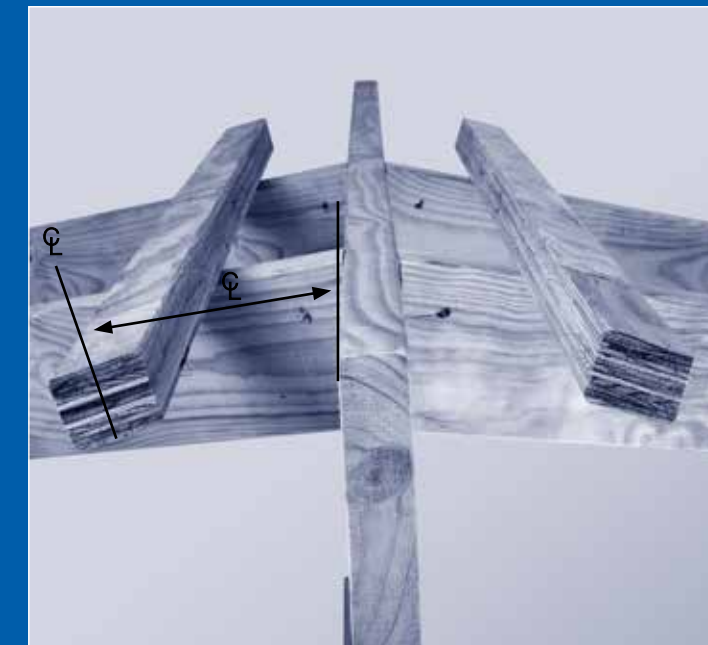
Joining e-battens over Rafters.

Join e-batten on the centreline of the rafter and either nail or screw fixed to the rafter. For roof areas within 1.2m of all edges use Type 17 screws only to join e-batten.



Positioning the Hip/Ridge Batten

- Ridge cap dimensions vary by manufacturer.
- Follow the builder's instructions for correct spacing from hip/ridge to batten centre line (C).
- Check that e-batten is running parallel to the hip/ridge.



Positioning the Valley Battens

- Follow the builder's instructions for the correct spacing from the valley to e-batten centre line (C).
- Check that e-batten is running parallel to the valley.

