



e-batten®



e-batten engineered LVL roof battens to support metal sheeting.

e-batten is fully engineered to perform consistently. They are designed to support metal sheeting under dynamic and static loads. Manufactured in lengths of 6.3m, e-batten reduces wastage of material and time.

Features:

- Engineered straightness and performance
- Termite treated and guaranteed for 25 years against termite attack when used South of the Tropic of Capricorn
- Arrised corners for safer and easier handling
- Manufactured in lengths of 6.3m to align with truss and rafter spacing
- Manufactured from plantation timber veneers
- Fully supported by e-house software
- Manufactured in Australia by a wholly owned Australian company
- Wesbeam has full Chain of Custody aligned with the Australian Forestry Standard (AFS)

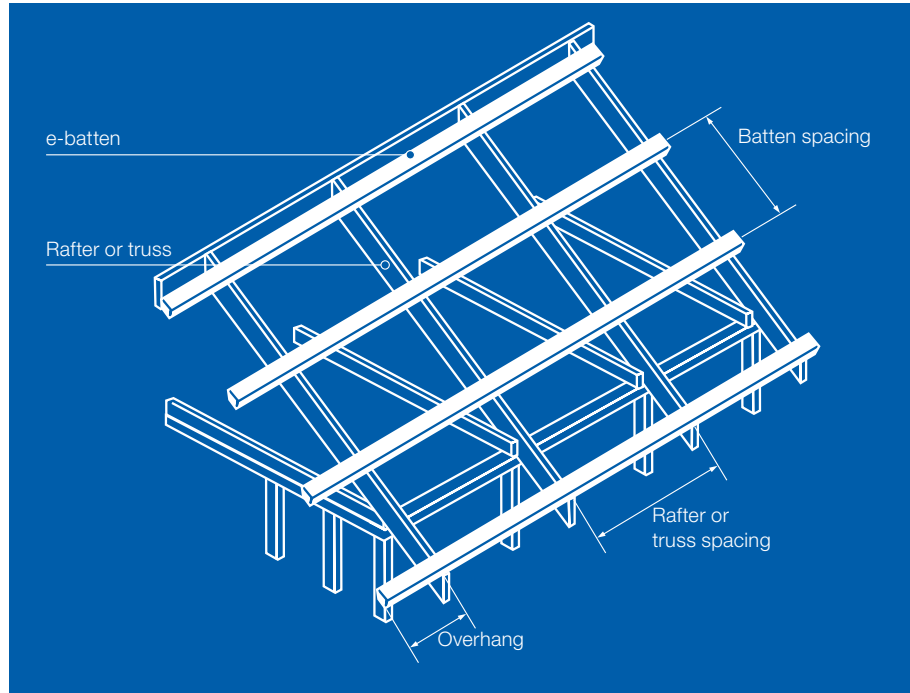


MII No. 613

e-batten specification

e-batten is manufactured from structural laminated veneer lumber in accordance with AS/NZS4357. e-batten span tables are engineer designed and certified to comply with AS1720.1 Timber structures Part 1: Design Methods, AS/NZS1684 Residential timber-framed construction – Part 1 Design Criteria, AS/NZS1170 Loading Codes – Part 0 to 4 and AS4055 Wind Loading for Housing for N1/N2/N3/N4 wind locations.

e-batten is termite treated to H2S Hazard level, in accordance with AS/NZS 1604.4.



Span Table

e-batten size (mm x mm)	e-batten weight (kg/m)	Wind Location	Rafter Spacing (mm)	Max. e-batten spacing (continuous member) (mm) ⁽¹⁾	Max. Overhang (mm)
65 x 35	1.5	N1, N2	900	900 (nail fixings) 1200 (screw fixing)	350
		N3, N4	900	800 (edge area) 900 (general area)	300

Note

1. Sheet roof manufacturer's specifications may require smaller batten spacings then listed in the Table.

Installation

- e-battens should only be walked on at support points.
- Bearing lengths at end and internal supports for continuous members shall not be less than 35mm.

Fixings of e-batten to Roof Rafters (refer to e-batten installation guide)

N1 and N2 Wind Locations

- Sheet roof areas within 1.2m of all edges - use Type 17 Roof Screws only
- General sheet roof areas - use Type 17 Roof Screws or 2/75mm long x 3.75Ø deformed shank nails

N3 and N4 Wind Locations

- All sheet roof areas - use Type 17 Roof Screws only

specification

Veneer

Thickness	Constant through the product thickness
Species	Plantation timber
Joints	Outer 2 plies are scarf jointed Inner plies – scarf and/or butt jointed

Moisture Content

8% – 15% (at time of despatch)

Dimensional Tolerances

Available on request

Straightness

Available on request

Density

650 kg/m³ (approximately)

Adhesive

Phenolic – AS 2754.1

Bond

Type A – AS/NZS 2098.2

Joint Group

JD4 – for nails, bolts and screws

Finish

Unsanded faces, sawn edges and arrised edges.

Branding

Each piece of e-batten is branded as least once with the product name for identification and evidence of compliance with manufacturing control standards

Storage

Store on level bearers at maximum 1800mm centres well clear of the ground, and cover to keep dry but allow ventilation

Source

Plantation timber certified to AS4707-2006

Condition

H2S treated

